



NIPPON KAIJI KYOKAI

Certificate

Certificate No.
TA15630E(R)

OF

APPROVAL

Item	:	A-0 class fire damper (Deck and Bulkhead)
Product name	:	FVD/SFVD
Maximum size	:	1200mm×800mm (width×height)
Minimum size	:	150mm×80mm (width×height)
Specification	:	See Annex.
Applicant	:	Nikkey Co., Ltd. 1-20-6 Ooi, Shinagawa-Ku, Tokyo, Japan
Manufacturer	:	Nikkey Co., Ltd. Noda Factory 617 Mefuki, Nodashi, Chiba, Japan
Testing standard	:	IMO FTP Code Annex1 / Part 3
Test report	:	See Annex.

THIS IS TO CERTIFY that the above type of products has been approved by Nippon Kaiji Kyokai with type approval No. 10FPA33DA, and that the products of the above type will be accepted for use onboard ships classed with the Society as complying with the relevant requirements of the Society's *Rules for the Survey and Construction of Steel Ships* and those of the *International Convention for the Safety of Life at Sea, 1974, as amended*, subject to conditional upon the manufacturer having a quality control system audited by a competent authority to ensure continuous compliance with the type approval conditions.

This certificate is valid until 24 August 2020.

Issued at Tokyo on 10 July 2015.

NIPPON KAIJI KYOKAI



T. Imamura

General Manager

Material and Equipment Department

Initial approval date : 25 August 2010

NOTE: The design, construction and way of installation subject to attachments. Any significant changes to the product without our approval will result in this certificate becoming null and void.

This certificate may be renewed without retesting, provided that the test report is not more than 15 years old and that no alteration of components or construction has been made to the product.

Annex to the Certificate No. TA15630E(R)

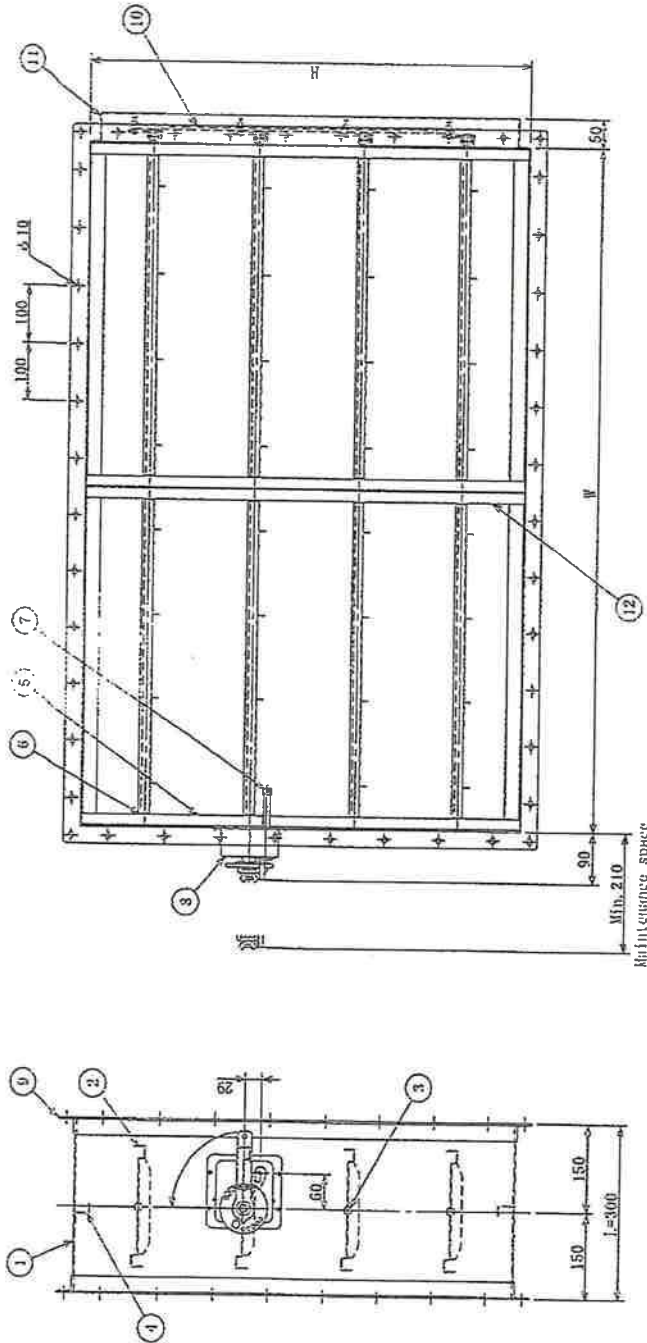


Test Report

Test laboratory : Research Institute of Marine Engineering, Japan
1-5-12 Fujimicho, Higashimurayama, Tokyo 189-0024 Japan

Report number : 09-413(E) and 09-470(E)

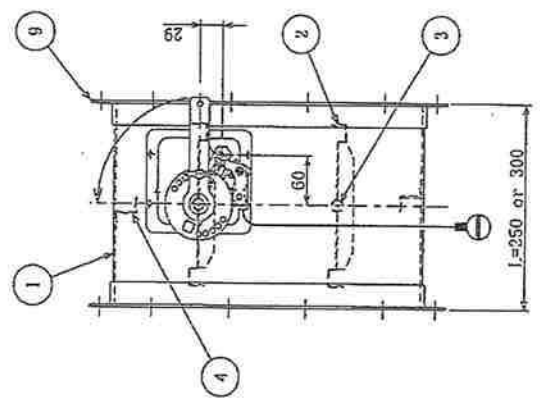
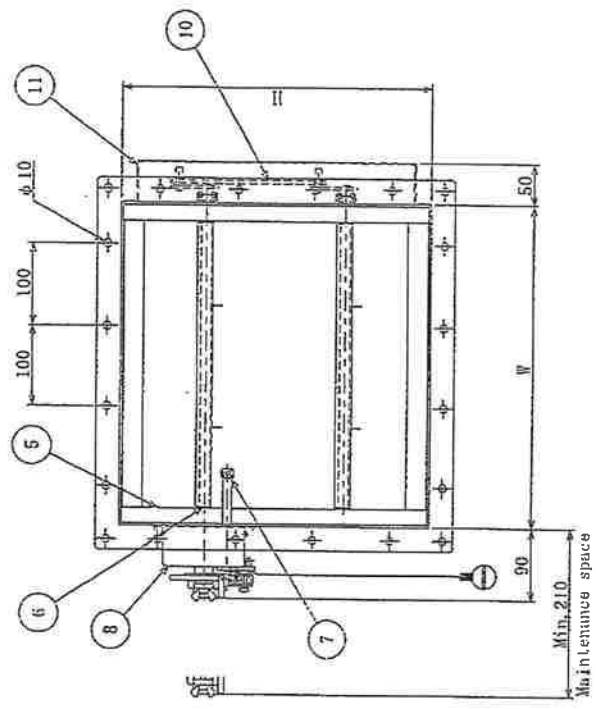
Issued date : 24 December 2009 (Report No. 09-413(E))
18 January 2010 (Report No. 09-470(E))



- Notes:
- (1) This product (all materials) is 100% asbestos-free.

Material of Components:

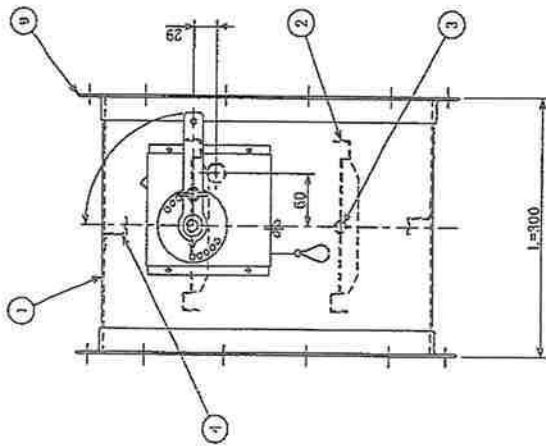
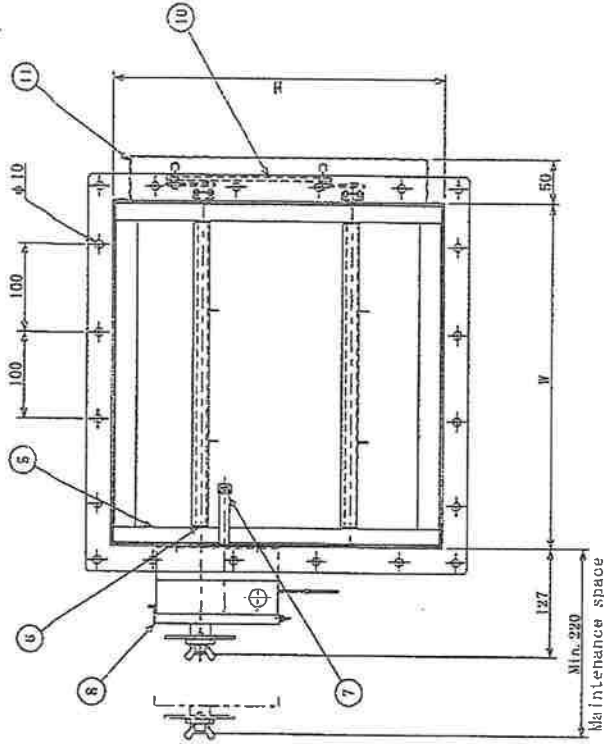
No.	Description	Material	Notes
1	Hamper case	SPHC 11.3	
2	Hamper blade	SPHC 11.6	
3	Hamper shaft	SDS400-9	φ 13
4	Blade stopper	SPHC 11.6	
5	Machine bed	SPHC 11.6	
6	Headling	CS40200	
7	Thermal fuse		72 °C
8	Actuator	SPC9	Model: N-BRTFV
9	Flange Flange	SS400	
10	Linkage rod	SS400	
11	Linkage cover	SPHC 11.6	
12	Partition	SPHC 11.6	In case of "P" option



Notus:
 1) This product (all materials) is 100% asbestos-free.

Material of Compositions:

No.	Description	Material	Notes
1	Damper case	SPIC t2.3	
2	Damper blade	SPIC t1.6	
3	Damper shaft	SGH00-9	φ13
4	Blade stopper	SPIC t1.6	
5	Bushing head	SPIC t1.6	
6	Bushing	C300210	
7	Thermal fuse		72°C
8	Actuator	S6CD	Model :N-BRCFY Special
9	Rolling flange	SS400	
10	Linkage rod	SS400	
11	Linkage cover	SPIC t1.6	



Notes:

- 1) This product (all materials) is 100% asbestos-free.

Material of Compositions:

No.	Description	Material	Notes
1	Damper case	SPIC t2.3	
2	Damper blade	SPIC t1.6	
3	Damper shaft	SBM400-D	φ 13
4	Blade stopper	SPIC t1.6	
5	Washing bed	SPIC t1.6	
6	Bushing	C3602BD	
7	Thermal fuse		72°C
8	Actuator	SGCD	Model:N-742RPV
9	Filling flange	SS400	
10	Linkage rod	SS400	
11	Linkage cover	SPIC t1.6	