



# NIPPON KAIJI KYOKAI

## Certificate

Certificate No.  
TA15629E(R)

OF

### APPROVAL

Item : A-0 class fire damper (Deck and Bulkhead)  
Product name : FVD-C  
Maximum size :  $\phi$  350mm  
Minimum size :  $\phi$  200mm  
Specification : See Annex.  
Applicant : Nikkey Co., Ltd.  
1-20-6 Ooi, Shinagawa-Ku, Tokyo, Japan  
Manufacturer : Nikkey Co., Ltd. Noda Factory  
617 Mefuki, Nodashi, Chiba, Japan  
Testing standard : IMO FTP Code Annex1 / Part 3  
Test report : See Annex

THIS IS TO CERTIFY that the above type of products has been approved by Nippon Kaiji Kyokai with type approval No. 10FPA34DA, and that the products of the above type will be accepted for use onboard ships classed with the Society as complying with the relevant requirements of the Society's *Rules for the Survey and Construction of Steel Ships* and those of the *International Convention for the Safety of Life at Sea, 1974, as amended*, subject to conditional upon the manufacturer having a quality control system audited by a competent authority to ensure continuous compliance with the type approval conditions.

This certificate is valid until 24 August 2020.

Issued at Tokyo on 10 July 2015.

NIPPON KAIJI KYOKAI



T. Imamura

General Manager

Material and Equipment Department

Initial approval date : 25 August 2010

NOTE: The design, construction and way of installation subject to attachments. Any significant changes to the product without our approval will result in this certificate becoming null and void.  
This certificate may be renewed without retesting, provided that the test report is not more than 15 years old and that no alteration of components or construction has been made to the product.

Annex to the Certificate No. TA15629E(R)

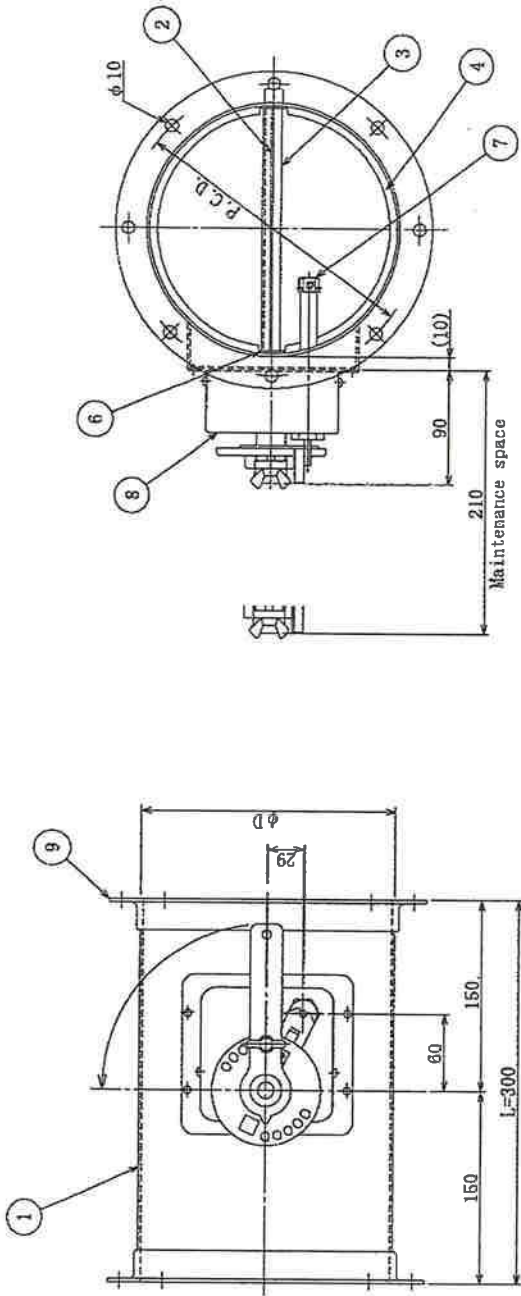


Test Report

Test laboratory : Research Institute of Marine Engineering, Japan  
1-5-12 Fujimicho, Higashimurayama, Tokyo 189-0024 Japan

Report number : 09-470(E) and 09-471(E)

Issued date : 18 January 2010

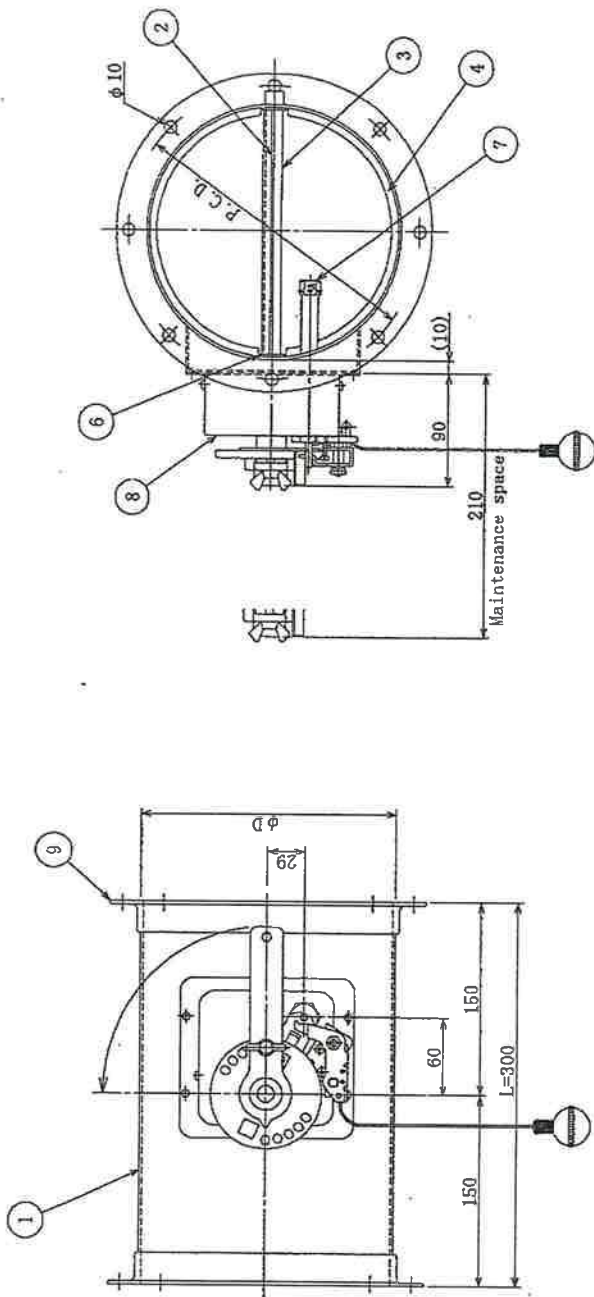


Notes:

- 1) This product (all materials) is 100% asbestos-free.

Material of Compositions:

No.	Description	Material	Notes
1	Damper case	SPHC t2.3	
2	Damper blade	SPHC t2.3	
3	Damper shaft	SCM400-D	phi 13
4	Blade stopper	SPHC t1.6	
6	Bushing	C3602BD	
7	Thermal fuse	---	72°C
8	Actuator	SOCD	Model: N-DK7PV
9	Fitting flange	SS400	L25X25X3



Notes:

- 1) This product (all materials) is 100% asbestos-free.

Material of Compositions:

No.	Description	Material	Notes
1	Damper case	SPHC t2.3	
2	Damper blade	SPHC t2.3	
3	Damper shaft	SGD400-B	φ 13
4	Blade stopper	SPHC t1.6	
6	Bushing	C3802ED	
7	Thermal fuse	---	72°C
8	Actuator	SGCB	Model: N-JR(PV) Special
9	Fitting flange	SS400	L25×25×3